

- Frequency 32.768kHz
- Ultra-miniature package: 2.0 x 1.2 x 0.6mm
- Low mass, rugged construction
- Packaged in standard EIA tape and reel



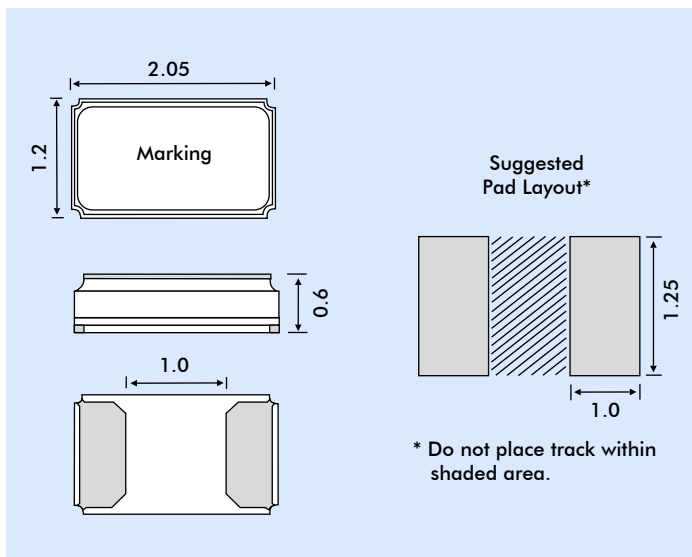
DESCRIPTION

EQ212 crystals provide 32.768kHz in one of the smallest packages available. The part is designed to provide the smallest possible component size for real-time clock applications. Their miniature size and rugged construction make them ideal for battery powered, hand-held equipment.

SPECIFICATION

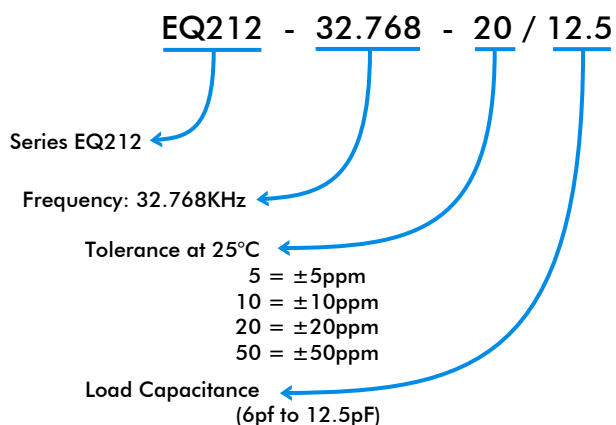
Nominal Frequency:	32.7680kHz
Calibration Tolerance at 25°C:	±5ppm to ±50ppm
Turnover Temperature:	+25±5°C
Temperature Coefficient:	(-0.04)×10 ⁻⁶ /°C ²
Operating Temperature Range:	-40 to +85°C
Load Capacitance (CL):	6pF to 12.5pF
Equivalent Series Resistance (ESR):	80kΩ max.
Drive level:	0.1μW typical 0.5μW max.
Ageing:	±5ppm per year
Insulation Resistance:	500MΩ minimum @100VDC
Crystal Cut:	X-Cut
Reflow Soldering:	10s maximum at 260°C twice or 180s at 230°C, once.
Packaging:	EIA tape and reel

OUTLINE & DIMENSIONS



ORDERING INFORMATION

Example: EQ212-32.768-20/12.5



STABILITY OVER TEMPERATURE X-Cut Crystal

