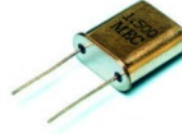


## 19.5 x 9.3 x 19.8mm Crystals

## 182.784kHz to 1000.000kHz

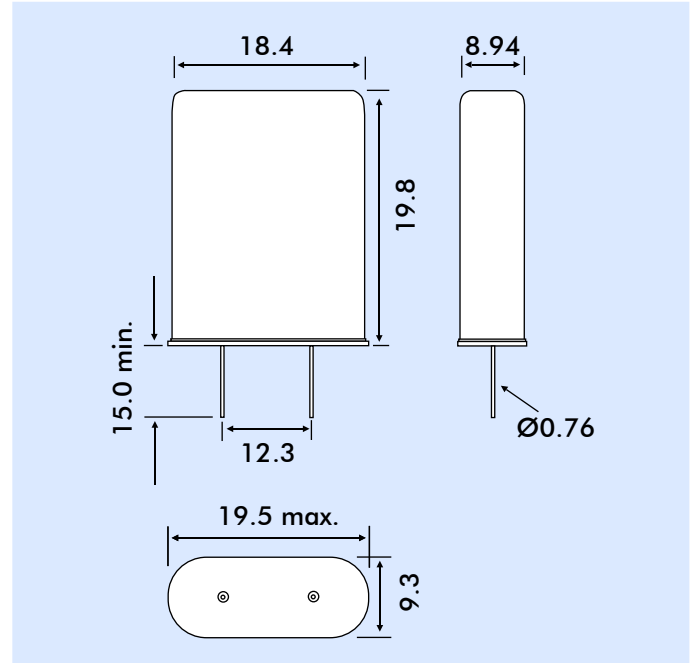
- DT, CT & SL-Cut Crystals
- Frequency range 182.784kHz to 1000kHz
- Fully RoHS compliant
- Industry standard package



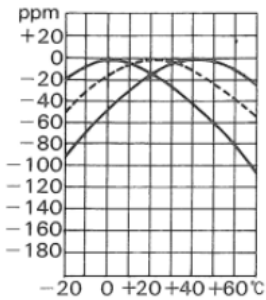
### SPECIFICATION

Frequency Range	
DT-Cut:	182.784kHz to 278.000kHz
CT-Cut:	284.000kHz to 384.000kHz
SL-Cut:	388.000kHz to 1000.000kHz
Calibration Tolerance:	±50ppm at +25°C
Temperature Stability Tolerance:	±100ppm over temperature range
Operating Temperature:	-10°C to +60°C
Shunt Capacitance (C0)	7pF max.
Drive Level:	2mW max.
Load Capacitance:	30pF or Series Resonant
Effective Series Resistance (ESR):	4kΩ

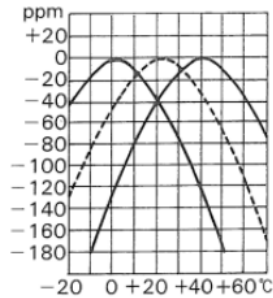
### OUTLINE & DIMENSIONS



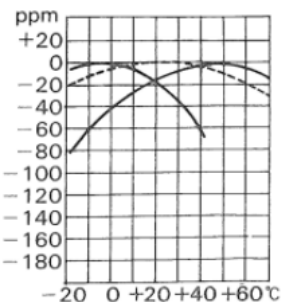
### TYPICAL TEMPERATURE CHARACTERISTICS



DT-Cut



CT-Cut



SL-Cut

### ORDERING PART NUMBER

Example: 502.432kHz HC51SL/50/100/-10+60/30pF

Frequency ←

Package Name & Crystal Cut  
 DT = DT-Cut  
 CT = CT-Cut  
 SL = SL-Cut

Calibration Tolerance ←

Temperature Stability ←

Operating Temperature Range ←

Load Capacitance  
 Parallel = 30pF  
 SR = Series Resonant