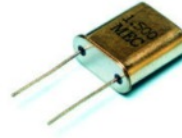


## 10.5 x 3.8 x 13.5mm Crystals

## 300.00kHz to 1280.00kHz

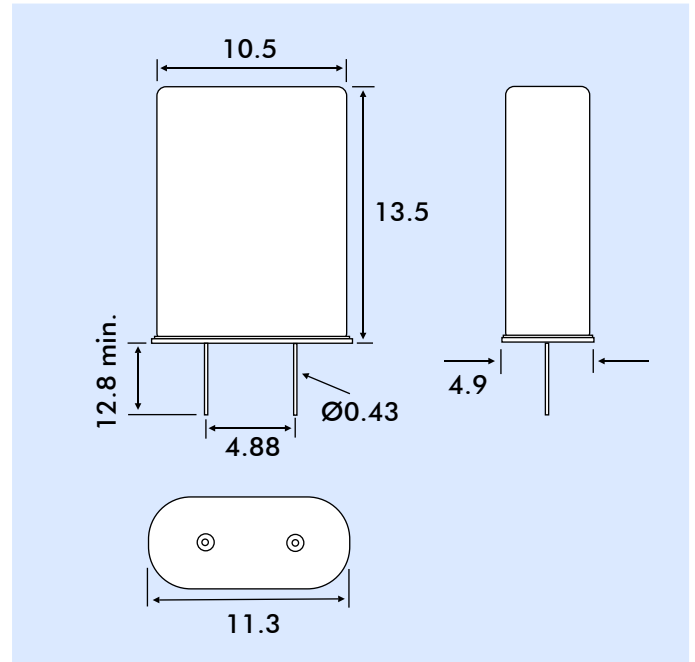
- SL-cut crystals
- Frequency range 300kHz to 1280kHz
- Fully RoHS compliant
- Industry standard HC49/U package



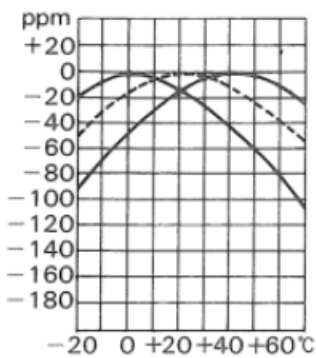
### SPECIFICATION

Frequency Range:	
DT-Cut:	300.000kHz to 492.677kHz
SL-Cut:	500.000kHz to 1280.000kHz
Calibration Tolerance:	±50ppm at +25°C
Temperature Stability Tolerance:	±100ppm over temperature range
Operating Temperature:	-10°C to +60°C
Shunt Capacitance (C0)	7pF max.
Drive Level:	2mW max.
Load Capacitance:	30pF or Series Resonant
Effective Series Resistance (ESR):	4kΩ (500kHz ~ 799.99kHz) 5kΩ (800kHz ~ 1280kHz)

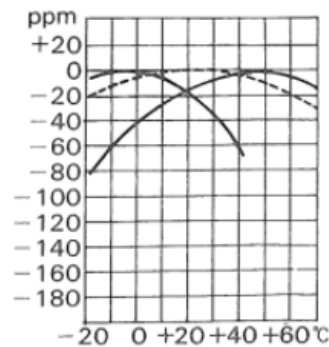
### OUTLINE & DIMENSIONS



### TYPICAL TEMPERATURE CHARACTERISTICS



DT-Cut



SL-Cut

### ORDERING PART NUMBER

