

# EUROQUARTZ GROUP OBSOLESCENCE NOTIFICATION

## SUMMARY

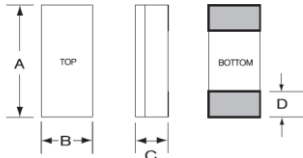
<b>PRODUCT CODE</b>	CX7 and CX9 Series	<b>ADVICE NUMBER</b>	000041
<b>SPECIFICATION</b>	SMD Crystals  CX7SM1-25M-50/50/-/I		
<b>REASON FOR OBSOLESCENCE</b>	Statek to cease manufacture of these due to fall in demand		
<b>CUSTOMER</b>	All		
<b>Raised By</b>	Andy Treble	<b>Date Raised</b>	30 <sup>th</sup> July 2018
<b>Amended</b>			
<b>Authorised By</b>	Andy Treble – Quality Manager	<b>Telephone</b>	01460 230000

## DETAILS OF OBSOLESCENCE

The above ranges of product have been obsoleted due the manufacturer ceasing production of this crystal package.

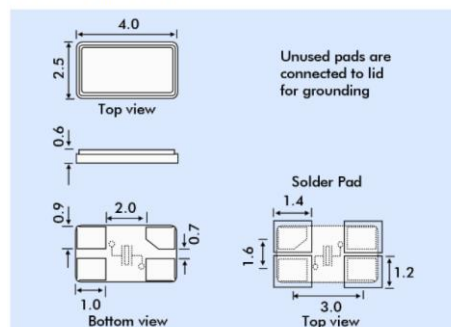
## ALTERNATIVE PARTS

The closest alternative Statek product would be the CX11 crystal range .

PACKAGE DIMENSIONS					
					
	TYPICAL		MAXIMUM		
DIM	inches	mm	inches	mm	
A	0.127	3.20	0.135	3.43	
B	0.060	1.50	0.068	1.73	
C	-	-	see below		
D	0.027	0.69	0.037	0.94	
THICKNESS (DIM C)					
Lid	Termination	Typical		Maximum	
		inches	mm	inches	mm
Ceramic	SM1	0.030	0.77	0.035	0.90
	SM2/SM4	0.031	0.79	0.036	0.92
	SM3/SM5	0.033	0.84	0.038	0.97
Glass	SM1	0.029	0.74	0.034	0.87
	SM2/SM4	0.030	0.77	0.035	0.89
	SM3/SM5	0.032	0.81	0.037	0.94
Thin Glass	SM1	0.025	0.64	0.030	0.77
	SM2/SM4	0.026	0.66	0.031	0.79
	SM3/SM5	0.028	0.71	0.033	0.84

There is a more commercial alternative and that is the **X42 series of crystal**, but this would require a pad redesign as it is a 4pad crystal.

### OUTLINE & DIMENSIONS



CX11 Series

## LAST TIME BUY DETAILS

Last time purchase orders will be accepted is 30<sup>th</sup> August 2018

<b>Authorised Signature</b>		<b>Date</b>	30 <sup>th</sup> July 2018
-----------------------------	---	-------------	----------------------------