

- Standard Dual-in-Line package
- Frequency Range: 10MHz - 30MHz
- Low Phase Noise



DESCRIPTION

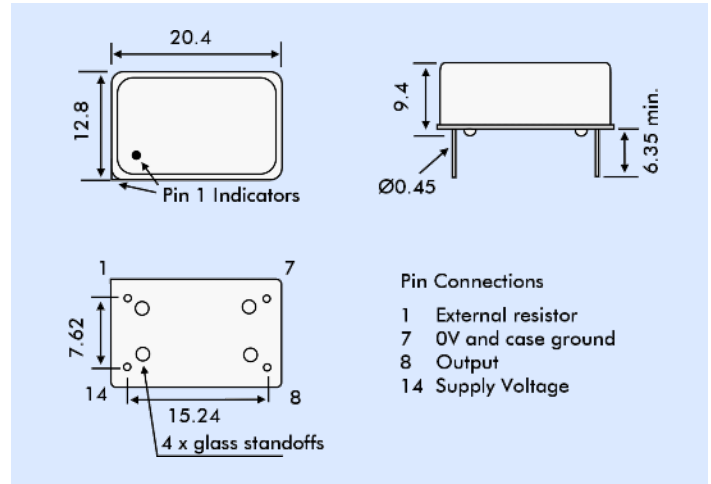
ZT5060 TCXOs are high stability TCXOs packaged in the industry-standard dual-in-line package. The part exhibits low phase noise.

SPECIFICATIONS

Frequency Range:	10.0MHz to 30.0MHz
Output:	HCMOS
Load:	10pF to 32pF
Symmetry:	50%±10%
Temperature Stability:	See table
Ageing:	<1 ppm/year
Input Voltage:	+8.0VDC ±5%
Frequency vs. Input Voltage:	±3x10 ⁻⁷ for a 5% change
Input Current:	<20mA
Frequency Adjust:	via external resistor or potentiometer (50k) from pin 1 to Ground
Phase Noise:	See table

Designed and manufactured by Greenray Industries Inc.

ZT5060 - OUTLINES AND DIMENSIONS



STABILITY OVER TEMPERATURE

Temp. Range	Stability	Part No. Code
-20~+70°C	±1.0 ppm	N16
-40~+85°C	±3.0 ppm	T36

PHASE NOISE

(Typical, at 10MHz)

Offset	dBc/Hz
10Hz	-105
100Hz	-135
1kHz	-155
10kHz	-163
100kHz	-165

PART NUMBERING

Example: **ZT5060-N16-10.0MHz**

