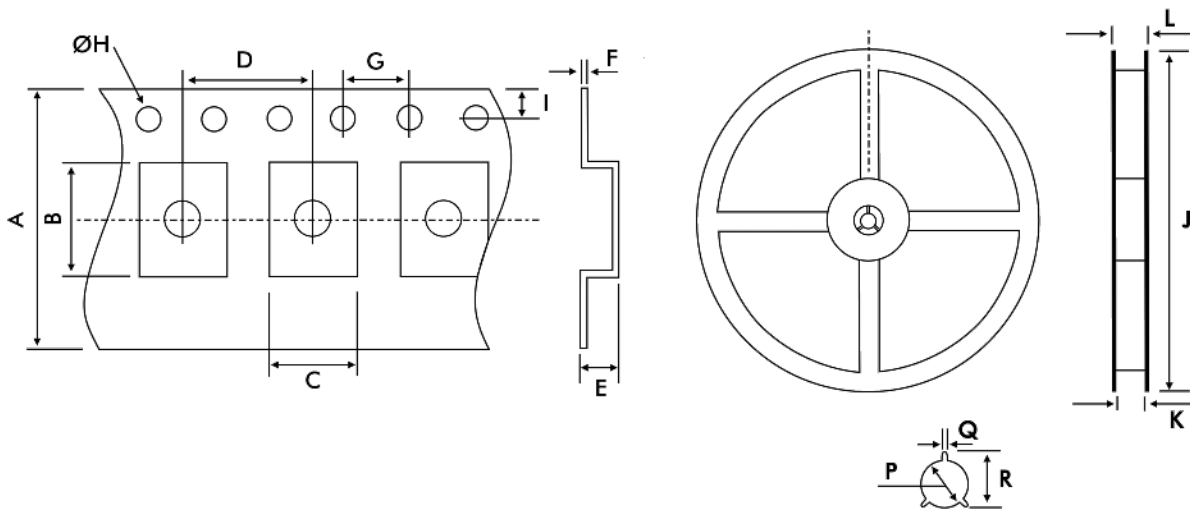


TAPE & REEL SPECIFICATIONS FOR VCXOs & TCXOs
Outlines and Dimensions

Tape Dimensions (mm)

TYPE	A	B	C	D	E	F	G	H	I	pcs/reel
G_534	12.0	5.3	3.6	8.0	1.4	0.3	4.0	Ø1.5	1.75	1000
G_576	16.0	7.2	5.4	8.0	1.8	0.3	4.0	Ø1.5	1.75	1000
G_42	24.0	12.4	10.3	16.0	5.0	0.3	4.0	Ø1.4	1.8	500
G_43	24.0	12.4	10.3	16.0	5.0	0.3	4.0	Ø1.4	1.8	500
G_62	24.0	12.4	10.3	16.0	5.0	0.3	4.0	Ø1.4	1.8	500
G_64	24.0	12.4	10.3	16.0	5.0	0.3	4.0	Ø1.4	1.8	500
(V)EM_53	12.0	5.3	3.6	8.0	1.4	0.3	4.0	Ø1.5	1.75	1000
(V)EM_57	16.0	7.2	5.4	8.0	1.8	0.3	4.0	Ø1.5	1.75	1000
(V)EM_42	24.0	12.4	10.3	16.0	5.0	0.3	4.0	Ø1.4	1.8	500
(V)EM_43	24.0	12.4	10.3	16.0	5.0	0.3	4.0	Ø1.4	1.8	500
(V)EM_62	24.0	12.4	10.3	16.0	5.0	0.3	4.0	Ø1.4	1.8	500
(V)EM_63	24.0	12.4	10.3	16.0	5.0	0.3	4.0	Ø1.4	1.8	500

Reel Dimensions (mm)

TYPE	J	K	L	P	Q	R	pcs/reel
G_534	179.0	16.5	19.6	13.4	2.5	19.5	1000
G_576	179.0	16.5	19.6	13.4	2.5	19.5	1000
G_42	330.0	30.0	25.0	13.4	2.5	19.5	500
G_43	330.0	30.0	25.0	13.4	2.5	19.5	500
G_62	330.0	30.0	25.0	13.4	2.5	19.5	500
G_64	330.0	30.0	25.0	13.4	2.5	19.5	500
(V)EM_53	179.0	16.5	19.6	13.4	2.5	19.5	1000
(V)EM_57	179.0	16.5	19.6	13.4	2.5	19.5	1000
(V)EM_42	330.0	30.0	25.0	13.4	2.5	19.5	500
(V)EM_43	330.0	30.0	25.0	13.4	2.5	19.5	500
(V)EM_62	330.0	30.0	25.0	13.4	2.5	19.5	500
(V)EM_63	330.0	30.0	25.0	13.4	2.5	19.5	500