

- Standard Dual-in-Line package
- Frequency Range: 10MHz - 50MHz
- Low Phase Noise vs. vibration
- 



**DESCRIPTION**

YH1300 series OCXOs are high stability oscillators packaged in the industry-standard dual-in-line package. The part exhibits low phase noise vs. vibration.

**SPECIFICATIONS**

Frequency Range:	10.0MHz to 50.0MHz
Output:	CMOS squarewave: 15pF load (option C) Sinewave: 0dBm into 50Ω (option S)
Harmonics:	-20dBc (Sinewave version)
Symmetry:	50%±10% (Squarewave version)
Temperature Stability:	See table
Freq. vs. Supply:	±3x10 <sup>-9</sup> for a 5% change
Ageing:	<0.5 ppm/year
Input Voltage:	available in +5.0 or +3.3VDC
Input Power:	Warmup: <3W for 5 minutes Idle: <1.0W @+25°C
Phase Noise:	See table
Acceleration Sensitivity:	<5x10 <sup>-11</sup> g, worst axis, DC to 2kHz.
Frequency Adjustment:	±5.0ppm, typical. Positive slope

*Designed and manufactured by Greenray Industries Inc.*

**STABILITY OVER TEMPERATURE**

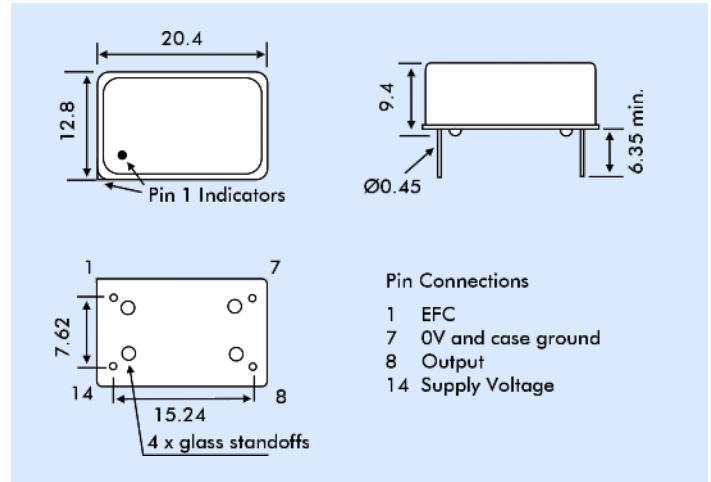
Temp. Range	Stability	Part No. Code
-10~+60°C	±2x10 <sup>-7</sup>	G27
-20~+70°C	±3x10 <sup>-7</sup>	N37
-40~+70°C	±4x10 <sup>-7</sup>	N47
-40~+85°C	±5x10 <sup>-7</sup>	T57

**PHASE NOISE**

(Typical, at 10MHz, 5.0V)

Offset	dBc/Hz
10Hz	-110
100Hz	-135
1kHz	-155
10kHz	-158
100kHz	-158

**YH1300 - OUTLINES AND DIMENSIONS**



**PART NUMBERING**

Example: **YH1300-N37-S-5.0-10.0MHz**

