

- Frequency 32.7680kHz
- Light-weight SMD tuning fork crystal, low profile 0.75mm
- Ceramic package providing high precision and reliability
- Suitable for mobile telecoms and general applications



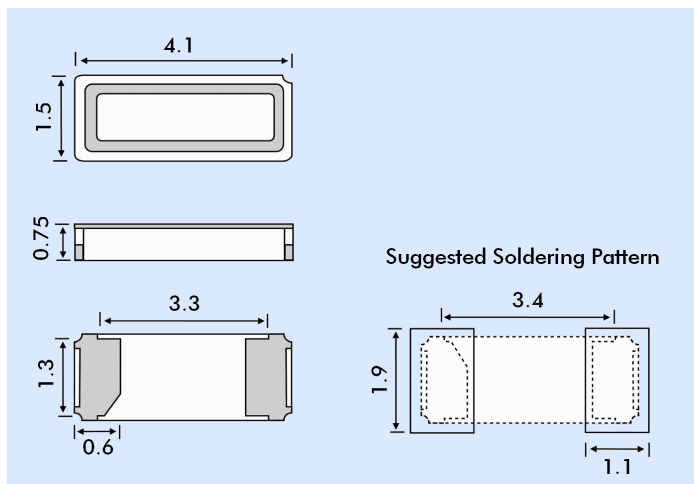
### DESCRIPTION

EQ162 crystals provide 32.768kHz in a miniature SMD package. The 4.1 x 1.5 x 0.75mm ceramic package is reliable and rugged while remaining high precision.

### SPECIFICATION

Nominal Frequency:	32.7680kHz
Load Capacitance:	9pF or 12.5pF
Drive Level:	0.2μW typical. 1.0μW maximum
Frequency Tolerance:	±20ppm @25°C
Equivalent Series Resistance:	80kΩ maximum
Turnover Temperature:	25°±5°C
Parabolic Coefficient:	-0.04ppm/°C <sup>2</sup> maximum
Operating Temperature Range:	-40° to +85°C
Storage Temperature Range:	-40 to +85°C
Shunt Capacitance:	1.3pF typical
Packaging:	Tape and Reel, 3k pieces per reel
RoHS tatus:	RoHS Compliant

### OUTLINE & DIMENSIONS



### EUROQUARTZ STOCK NUMBERS

Frequency (kHz)	CL (pF)	Stock Number	Part Number
32.7680	12.5	PG32768E	32.768kHz EQ162-12.5pF
32.7680	9	PG32768F	32.768kHz EQ162-9pF

### PART NUMBER

Example: 32.768kHz EQ162 - 12.5pF



### STABILITY OVER TEMPERATURE

#### X-Cut Crystal

