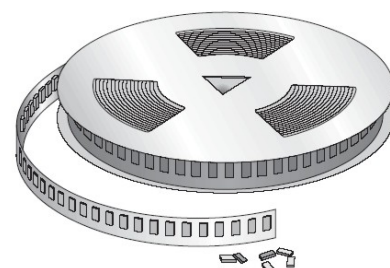
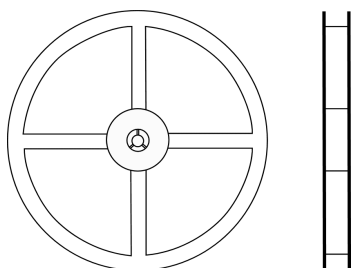


## Tape and Reel Dimensions for CX Crystals



**Notes:**

1. Reel drawing is for reference only
2. The centre hole (hub hole) is per EIA-481 standard 13mm size.

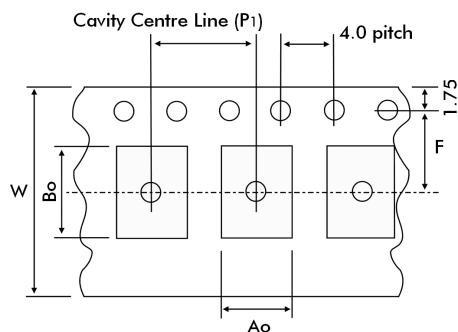
Carrier tape material: 3000 Black Conductive Polycarbonate

### REEL SELECTION

CRYSTAL	MAX. QUANTITIES PER REEL		
Type	180mm	330mm	Orientation
CX1 SM	1000	4000	Random
CX2 SM	2000	8000	Single pad towards sprocket holes
CX3 SM	2000	8000	Random
CX4 SM	3000	12000	Random
CX4 SM (VP)	3000	12000	Dual pads towards sprocket holes
CX6 SM	2000	12000	Random
CX7 SM	3000	8000	Random
CX8 SM	2000	12000	Random
CX9 SM	3000	8000	Random
CX11 SM	3000	12000	Random
CX14 SM	3000	12000	Random
CX18 SM	4000	12000	Random

### PART TO PART INDEXING P<sub>1</sub>, A<sub>0</sub> & B<sub>0</sub> DIMENSIONS

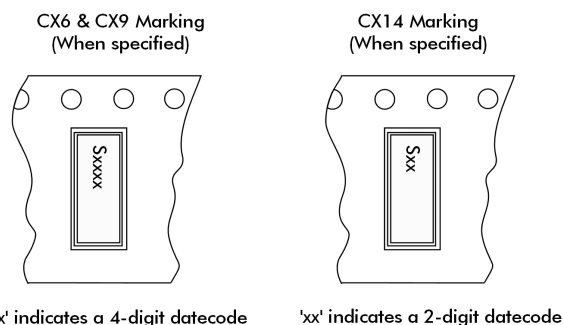
Dim. = mm	P <sub>1</sub>	A <sub>0</sub>	B <sub>0</sub>	Tape Width
CX1	8.0	4.0	8.4	16
CX2	4.0	2.8	7.1	16
CX3	4.0	2.8	7.1	16
CX4	4.0	2.1	5.5	16
CX4 (VP)	4.0	2.1	5.5	16
CX6	4.0	2.8	7.1	16
CX7	4.0	2.3	4.4	16
CX8	4.0	2.8	7.1	16
CX9	4.0	1.8	4.5	16
CX11	4.0	1.8	3.6	12
CX14	4.0	2.9	3.6	12
CX18	4.0	1.8	3.6	12



For 16mm tape width, W = 16, F = 7.5  
 For 12mm tape width, W = 12, F = 5.5

### CRYSTAL ORIENTATION IN TAPE CAVITY

**Top View**



**Bottom View**

