

- Frequency range 30.0kHz to 100.0kHz
- Industry-standard package
- Compact and low-profile
- Supplied on EIA tape and reel



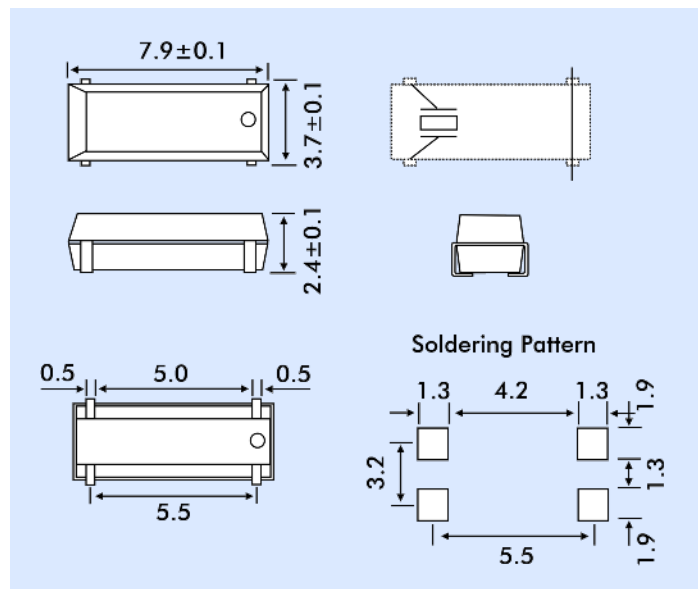
DESCRIPTION

95SMX(G) crystals are miniature surface-mount crystals specifically designed to provide a low-cost and reliable source of real time clock frequency, 32.768kHz for mass-market applications, and also frequencies in the range 30kHz to 100kHz. The parts are low-profile, and of low mass. The package is encapsulated in epoxy resin.

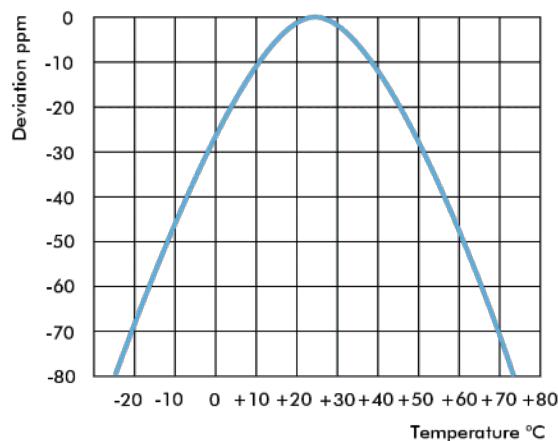
SPECIFICATION

| | |
|-------------------------------------|---|
| Nominal Frequency: | 32.7680kHz and 30.000kHz to 100.000kHz |
| Calibration Tolerance at 25°C: | ±20 ppm, ±30 ppm, ±50 ppm (std.) and ±100 ppm |
| Load Capacitance (CL): | 12.5pF typical |
| Equivalent Series Resistance (ESR): | 50kΩ max. |
| Drive level: | 1.0 μW max. |
| Turnover Temperature: | +25°±5°C |
| Temperature Coefficient: | -0.034/°C ² (Parabolic function) |
| Q: | 50,000 minimum |
| Shunt Capacitance: | 0.8 to 1.7pF |
| Motional Capacitance: | 0.001 to 0.004pF |
| Capacitance Ratio: | 330 to 800 |
| Ageing (first year): | ±5ppm max. at 25° ±3°C |
| Insulation Resistance: | 500MΩ minimum @100VDC |
| Crystal Cut: | XY-Cut |
| Operating Temperature Range: | -40° to +85°C |
| Storage Temperature Range: | -55° to +125°C |
| Shock Resistance: | ±5 ppm max. |
| Vibration Resistance: | ±5 ppm max. |
| IR Reflow Resistance: | ±10ppm max. |
| Reflow Condition: | 10 seconds max. at 250° ±10°C |
| Package | |
| Outer Package: | Plastic |
| Sealing: | Press fit (2x6mm built-in) |
| Terminal Lead Frame: | Copper Alloy (CuSN) |
| Terminal Plating: | SnCu |
| Delivery Format: | EIA tape and reel, 3k pieces/reel |
| RoHS Status: | Compliant |

OUTLINE & DIMENSIONS



STABILITY OVER TEMPERATURE XY-Cut Crystal



PART NUMBER AND SPECIFICATION

Order format = 32.768kHz 95SMX(G) ±20ppm, 12.5pF

Frequency ←

Package ←

Calibration tolerance at 25°C (±ppm)
(±20, ±30, ±50 or ±100ppm) ←

Load Capacitance
(Required CL in pF) ←